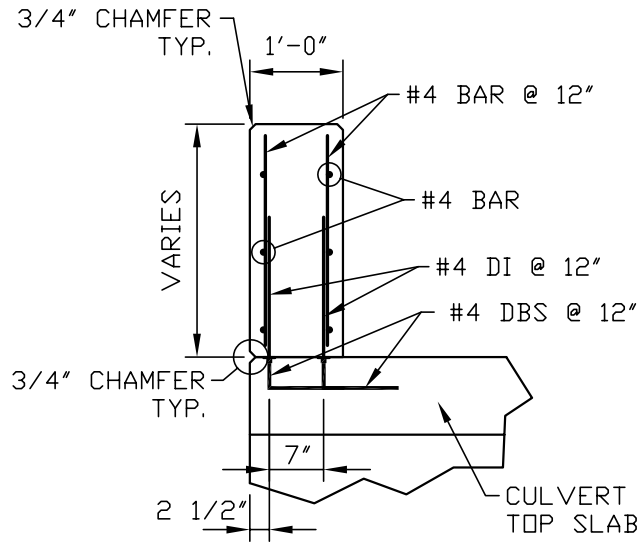


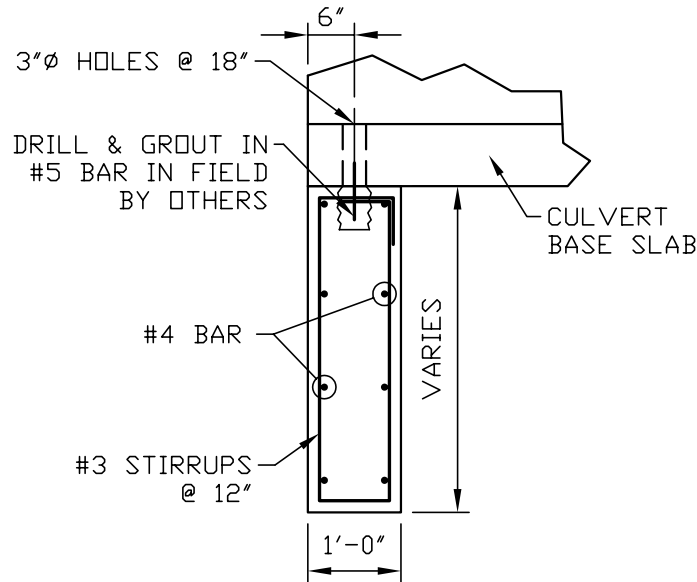


Concrete Systems Inc.
9 Commercial St., Hudson, NH, 03051
Phone 603-889-4163
Fax 603-889-0039

HEADWALL AND CUTOFF WALL DETAILS



Attached Precast Headwall Details



Precast Cutoff Wall Details