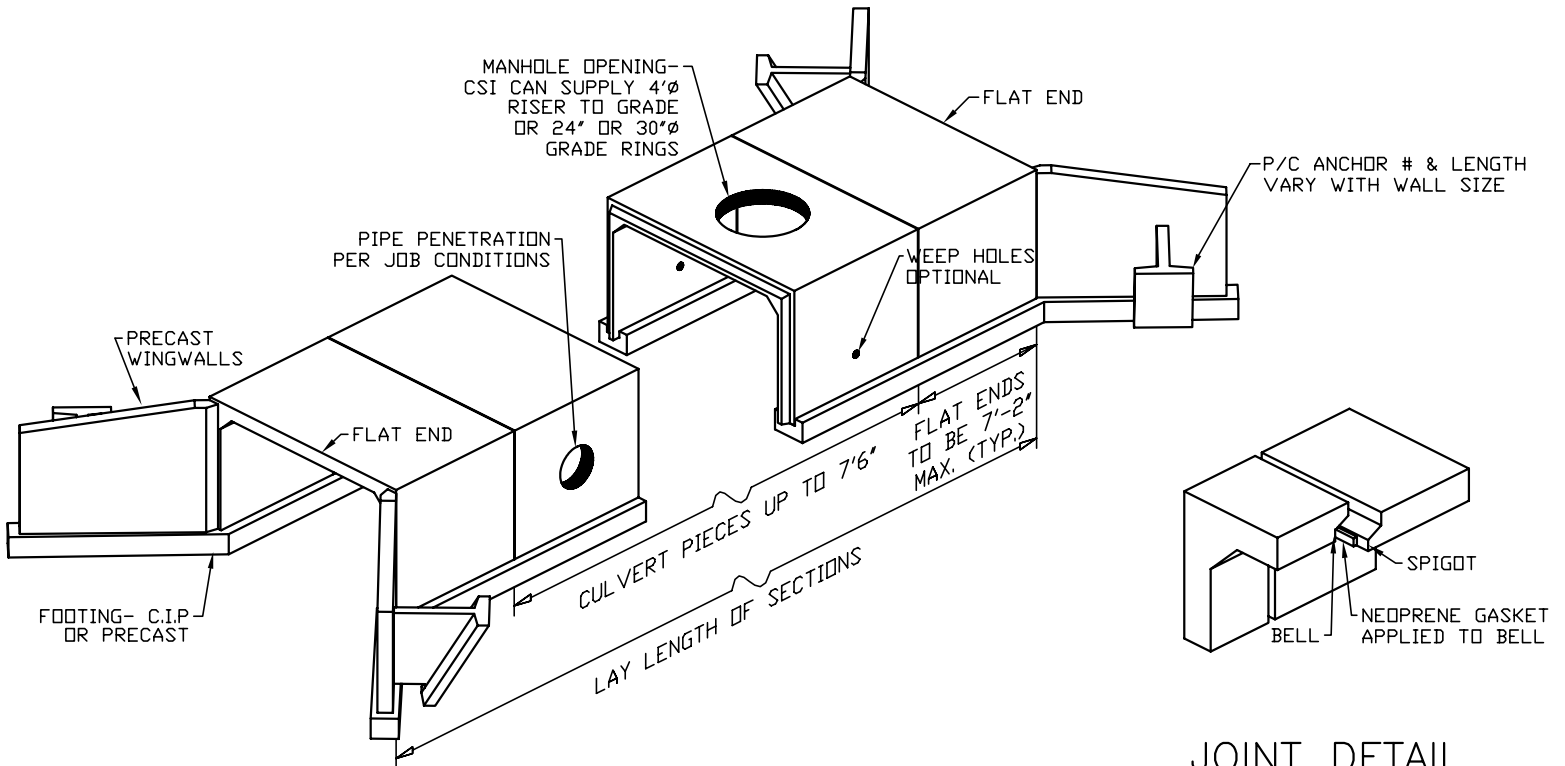


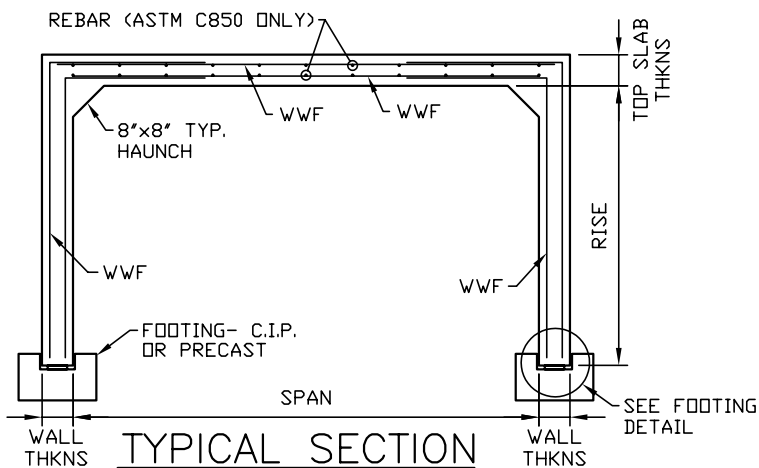
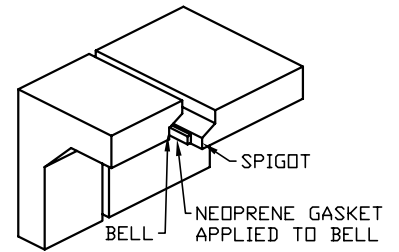


Concrete Systems Inc.
 9 Commercial St., Hudson, NH, 03051
 Phone 603-889-4163
 Fax 603-889-0039

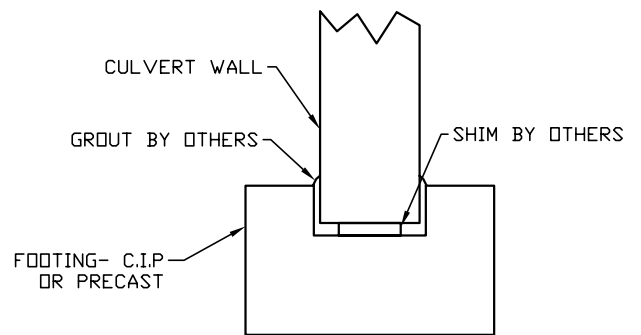
Precast Box Culvert with Wing Walls Three Sided



JOINT DETAIL



TYPICAL SECTION



FOOTING DETAIL

GENERAL NOTES:

- Structure designed and built in accordance with ACI 318-99 "Building Code Requirements for Structural Concrete" and ASTM C789 or C850. Other design codes: AASHTO, AREA, FAA Airport Loading & BOCA as required.
- Design Parameters:
 Live load: As specified
 Earth Cover: Per job condition
 Concrete: Design strength $f'_c = 5000$ psi
 Unit weight = 150 pcf
 Reinforcing: ASTM A615 (Rebar) Grade 60
 ASTM A185 (Welded Wire Fabric) Grade 70
- Exterior dampproofing can be supplied by CSI.