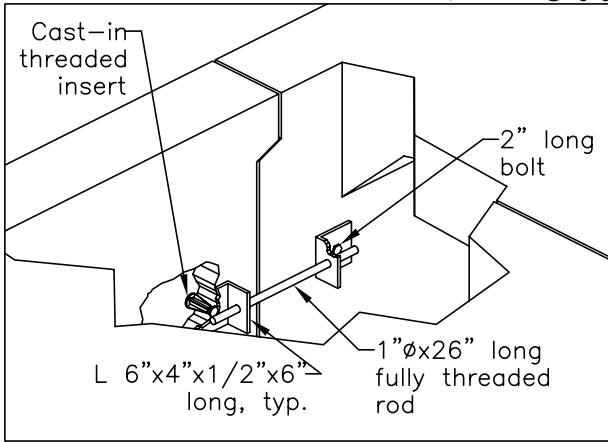




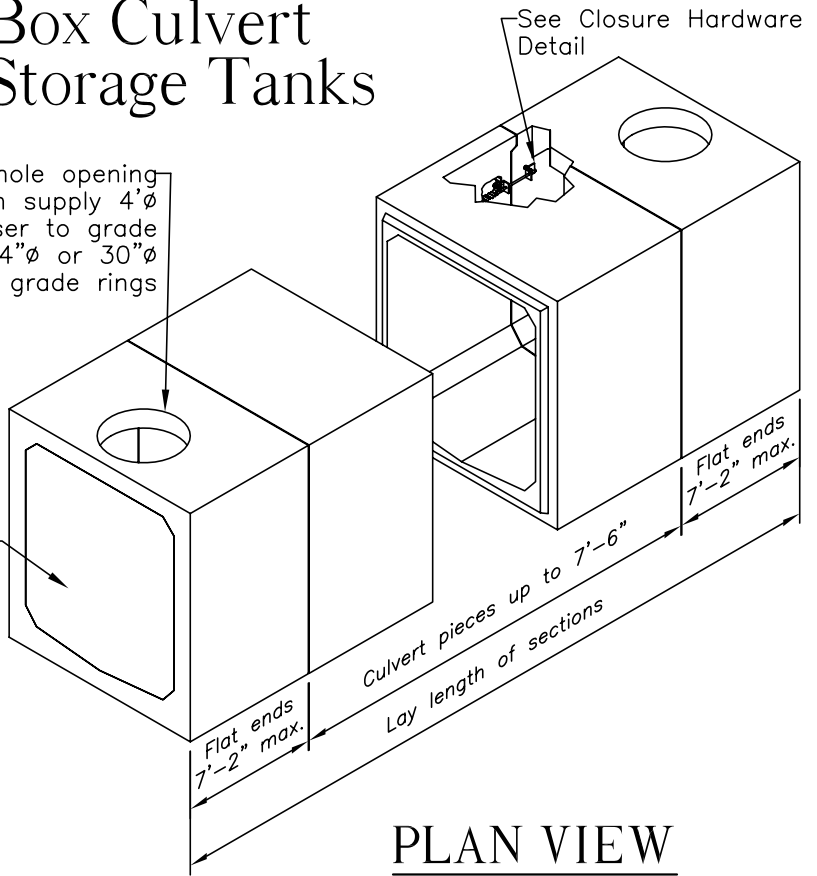
Concrete Systems Inc.
 9 Commercial St., Hudson, NH, 03051
 Phone 603-889-4163
 Fax 603-889-0039

Precast Box Culvert V-Bottom Storage Tanks

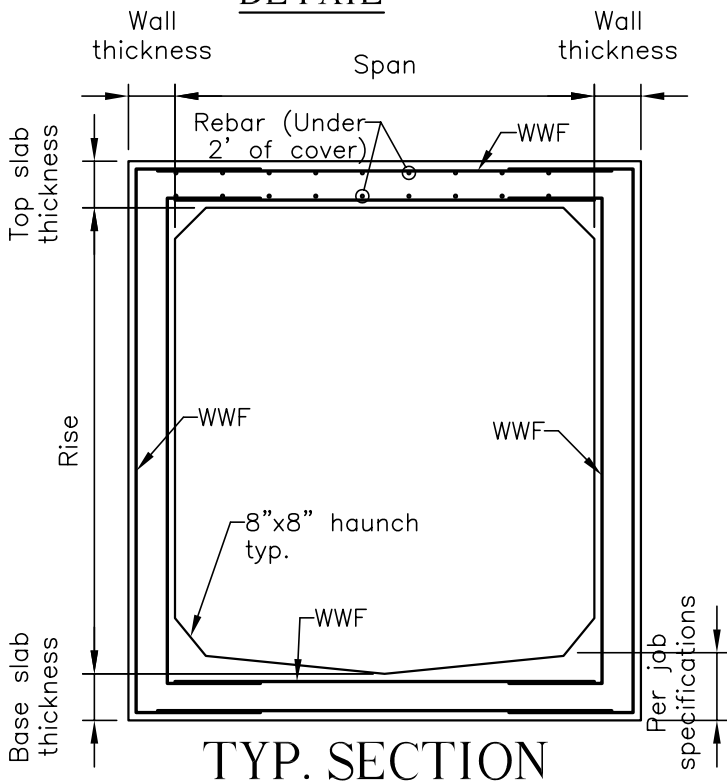


**CLOSURE HARDWARE
 DETAIL**

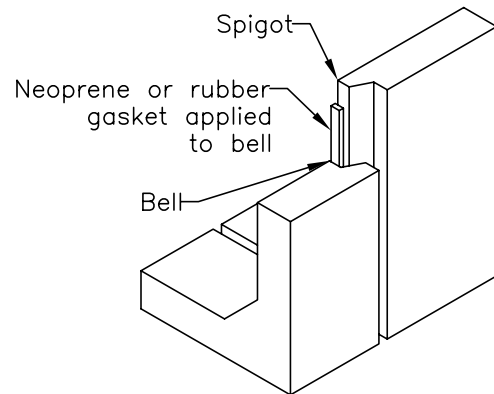
Manhole opening
 CSI can supply 4' ϕ riser to grade or 24" ϕ or 30" ϕ grade rings



PLAN VIEW



TYP. SECTION



JOINT DETAIL

GENERAL NOTES:

- Structure designed and built in accordance with ACI 318-99 "Building Code Requirements for Structural Concrete" and ASTM C1433. Other design codes: AASHTO, AREA, FAA Airport Loading & BOCA as required.
- Design Parameters:
 Live load: Per job conditions
 Earth Cover: Per job conditions
 Concrete: Design strength $f'_c = 5000$ psi
 Unit weight = 150 pcf
 Reinforcing: ASTM A615 (Rebar) Grade 60, Black or Epoxy
 ASTM A185 (Welded Wire Fabric) Grade 70
- Exterior dampproofing can be supplied by CSI.