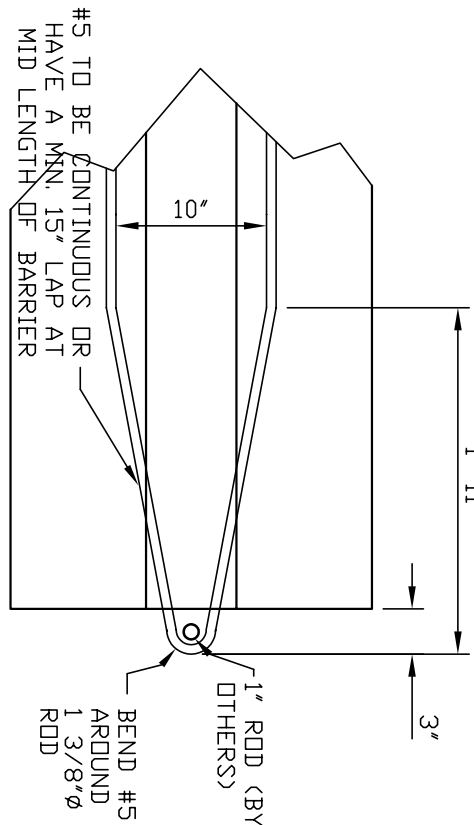
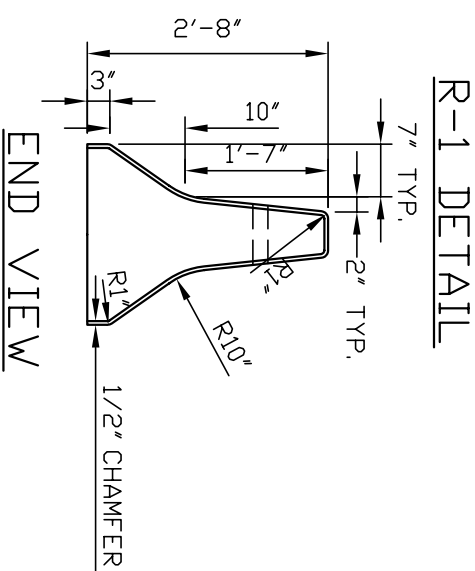
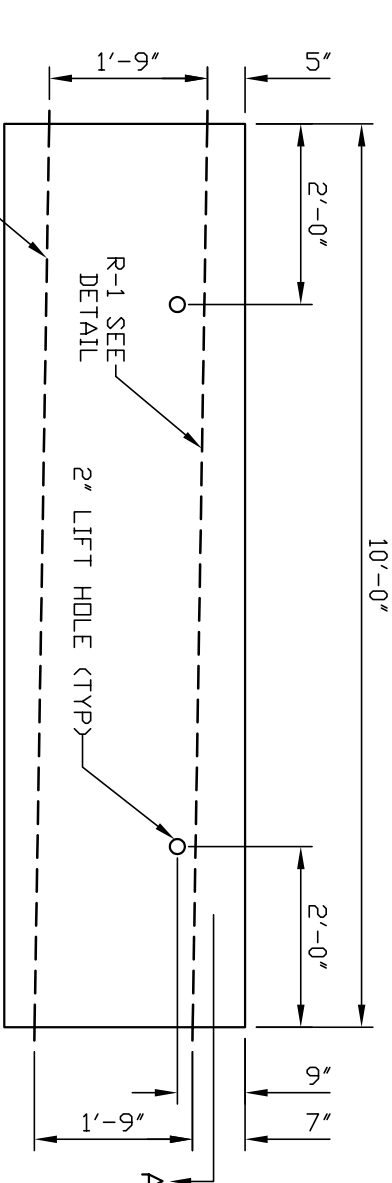
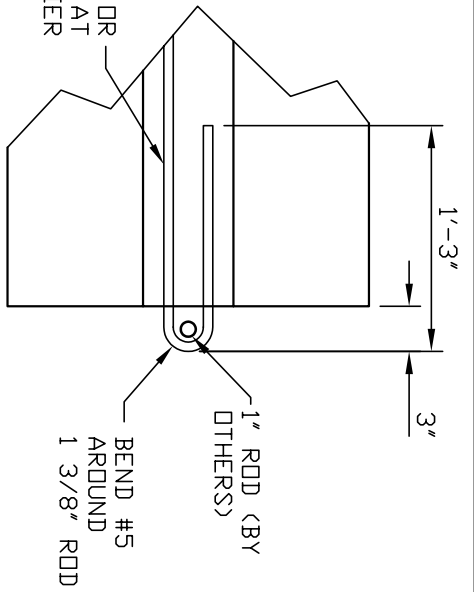


#5 TO BE CONTINUOUS OR HAVE A MIN. 15" LAP AT MID LENGTH OF BARRIER



R-2 DETAIL

- NOTES:
1. Concrete: 4000 psi @ 28 days
 2. Reinforcing: Grade 60

CSI
Concrete Systems Inc.
9 Commercial St., Hudson, NH 03051
Phone 603-889-4163
Fax 603-889-0039

Drawn By	Date
CONCRETE CO. YD.	WEIGHT
1.02	2.06 TONS
Approved By	Date

DOUBLE FACE JERSEY BARRIER
MASS TEMPORARY

No. Required

Drawing No. DFJ2432TMA-1

SCALE : D.N.S.

SHEET