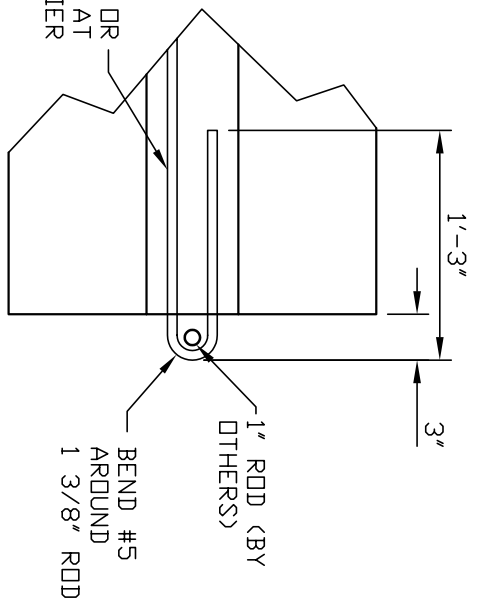
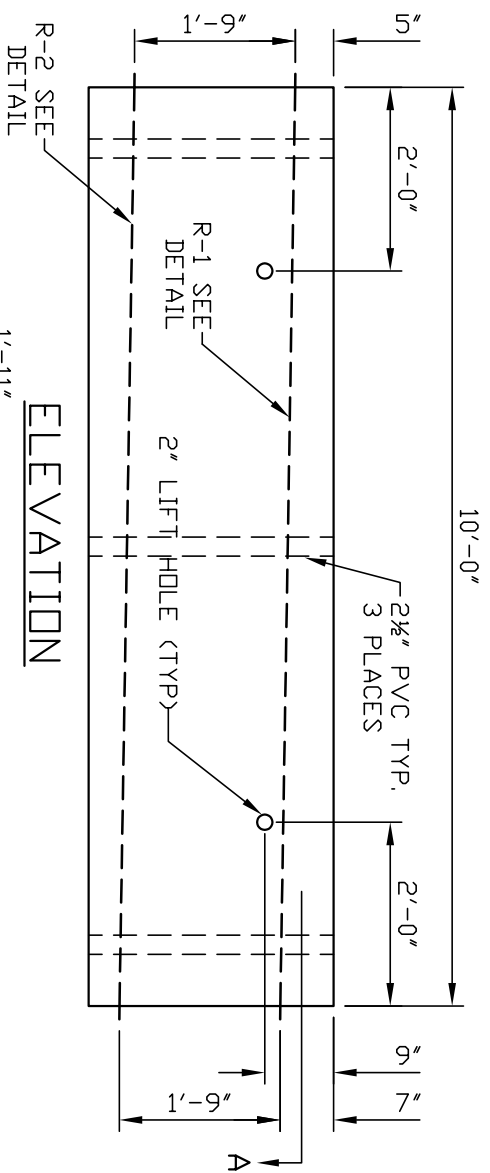


PLAN

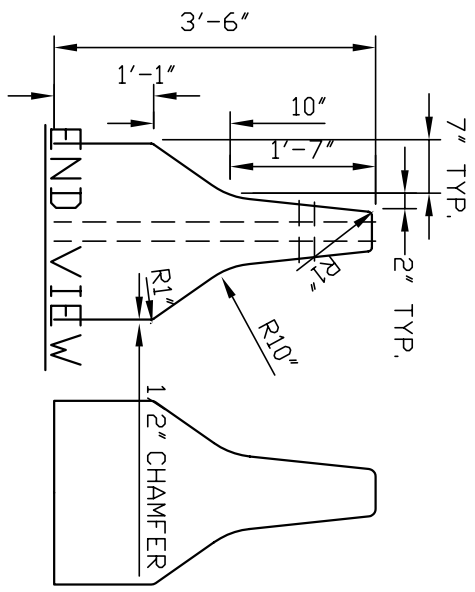
#5 TO BE CONTINUOUS OR HAVE A MIN. 15" LAP AT MID LENGTH OF BARRIER



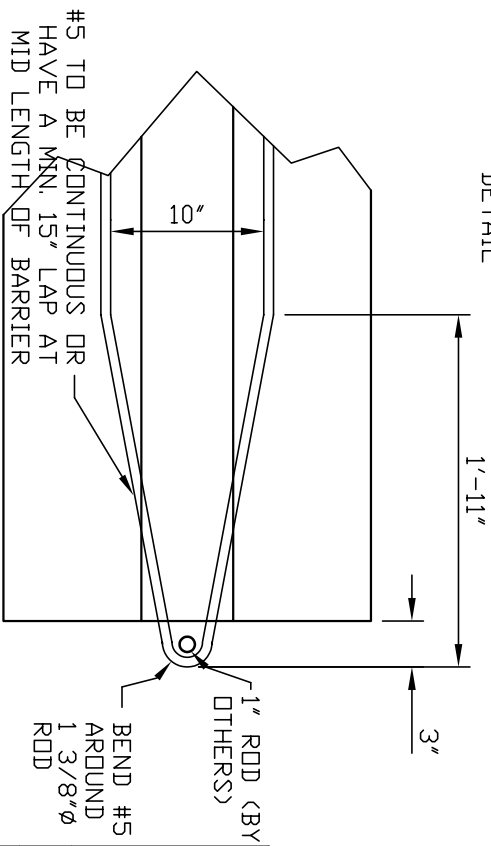
R-1 DETAIL



ELEVATION



END VIEW



R-2 DETAIL

#5 TO BE CONTINUOUS OR HAVE A MIN. 15" LAP AT MID LENGTH OF BARRIER

- NOTES:
1. Concrete: 4000 psi @ 28 days
 2. Reinforcing: Grade 60

CSI
Concrete Systems Inc.
 9 Commercial St., Hudson, NH 03051
 Phone 603-889-4163
 Fax 603-889-0039

Drawn By	Date
CONCRETE CO., YD.	WEIGHT
1.02	2.06 TONS
Approved By	Date

DOUBLE FACE JERSEY BARRIER
W/ POST HOLES (MASS TEMPORARY)

No. Required: **A** Drawing No. **DFJ2432TMA-2**

SCALE : D.N.S. SHEET 1