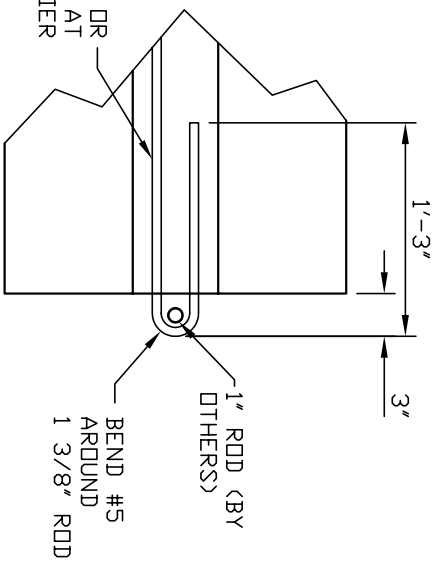
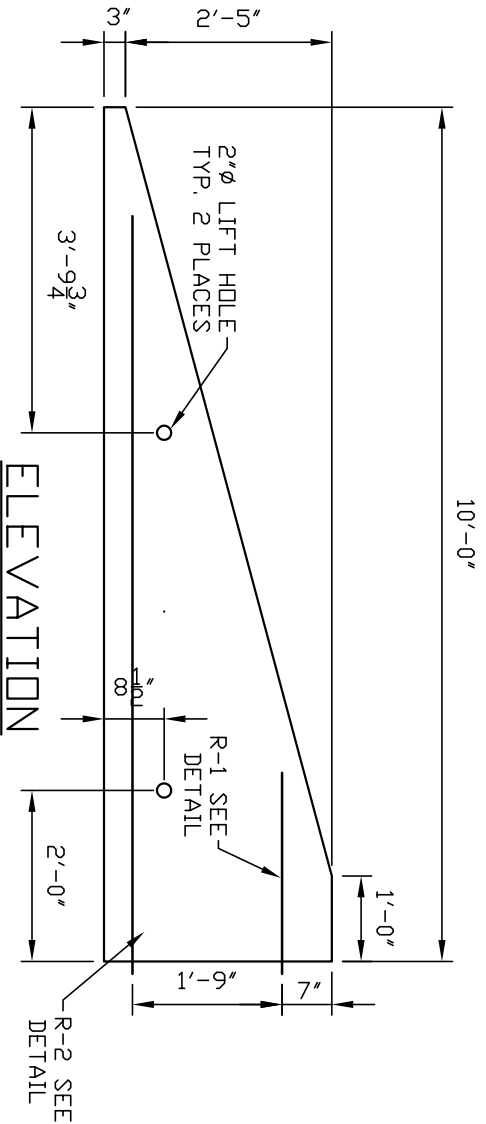


PLAN

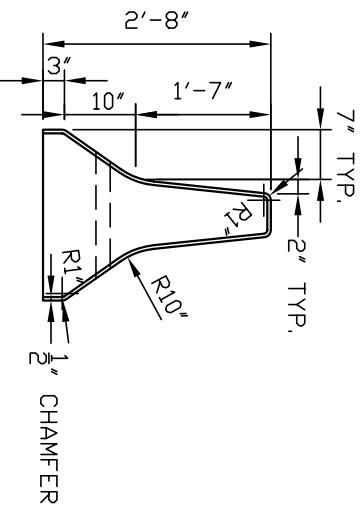
#5 TO BE CONTINUOUS OR HAVE A MIN. 15" LAP AT MID LENGTH OF BARRIER



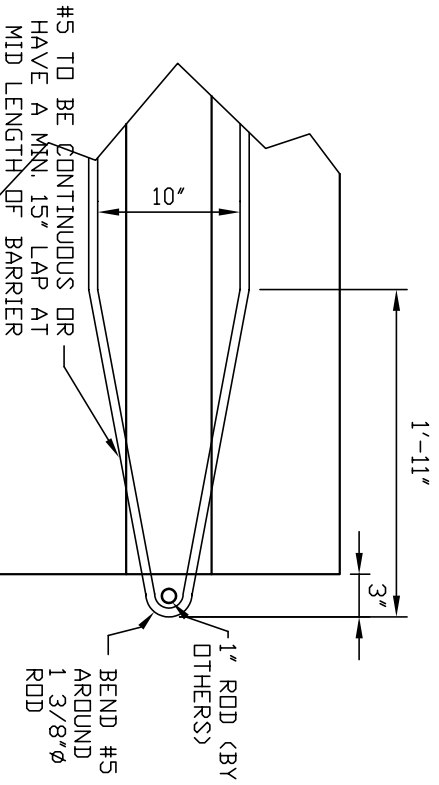
R-1 DETAIL



ELEVATION



END VIEW



R-2 DETAIL

#5 TO BE CONTINUOUS OR HAVE A MIN. 15" LAP AT MID LENGTH OF BARRIER

- NOTES:
1. Concrete: 4000 psi @ 28 days
 2. Reinforcing: Grade 60



Concrete Systems Inc.
9 Commercial St., Hudson, NH 03051
Phone 603-889-4163
Fax 603-889-0039

Drawn By	Date
CONCRETE CU. YD.	WEIGHT
.73	1.47 TONS
Approved By	Date

DOUBLE FACE JERSEY BARRIER
MASS TEMPORARY

Drawing No. DFJ2432TMA-SL

SCALE : D.N.S.

SHEET