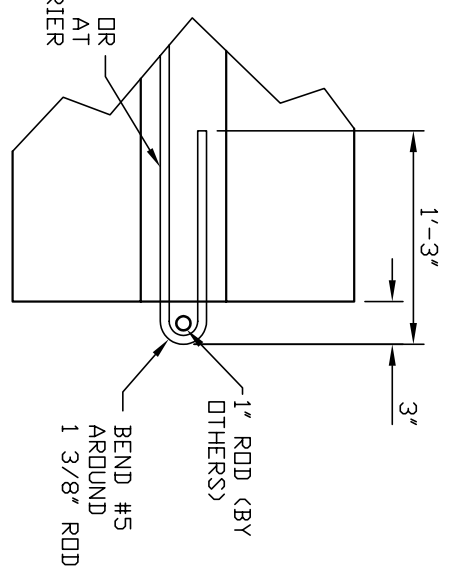
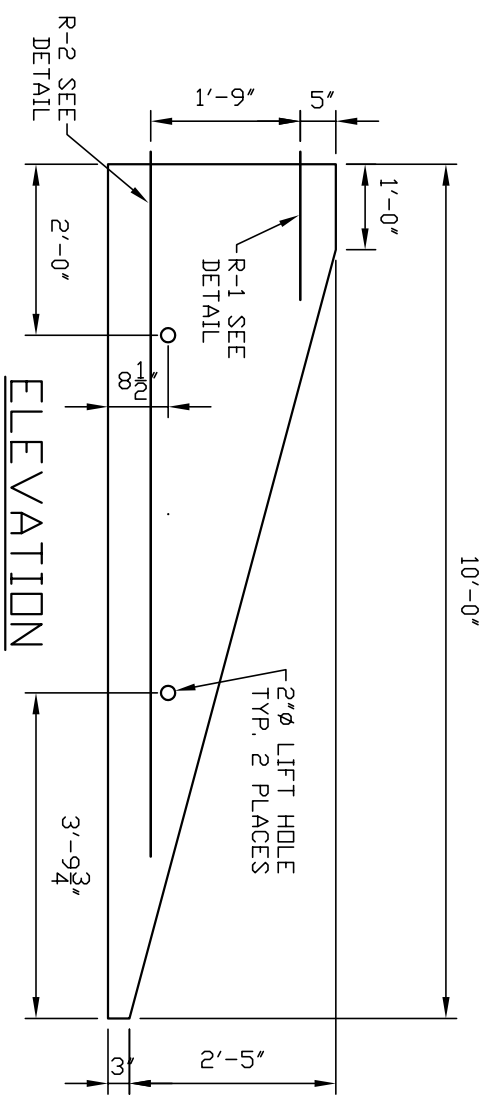


PLAN

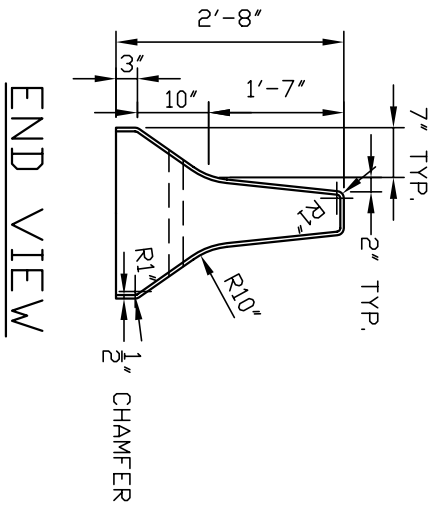
#5 TO BE CONTINUOUS OR HAVE A MIN. 15" LAP AT MID LENGTH OF BARRIER



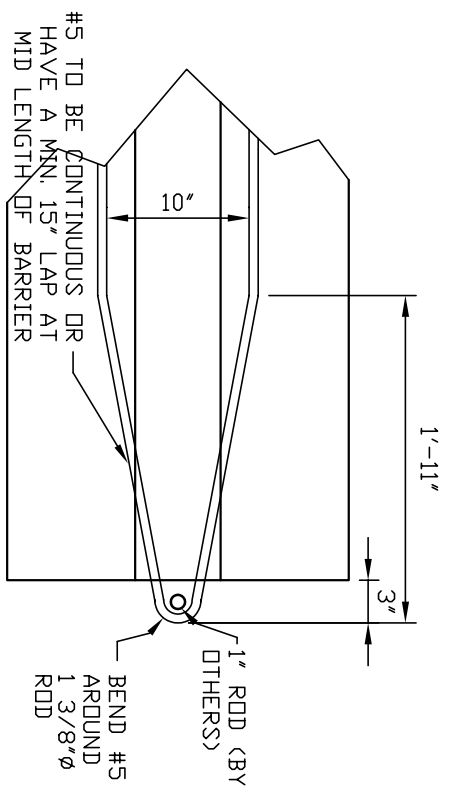
R-1 DETAIL



ELEVATION




END VIEW



R-2 DETAIL

- NOTES:
1. Concrete: 4000 psi @ 28 days
 2. Reinforcing: Grade 60

 <p>Concrete Systems Inc. 9 Commercial St., Hudson, NH 03051 Phone 603-889-4163 Fax 603-889-0039</p>		Drawn By	Date
		CONCRETE CU. YD.	WEIGHT
		Approved By	Date
<p>DOUBLE FACE JERSEY BARRIER MASS TEMPORARY</p>		No. Required	Drawing No.
		DFJ2432TMA-SR	
SCALE : D.N.S.		SHEET	