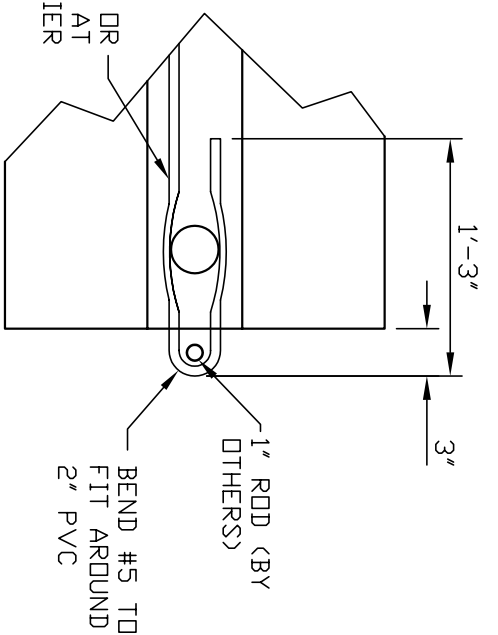
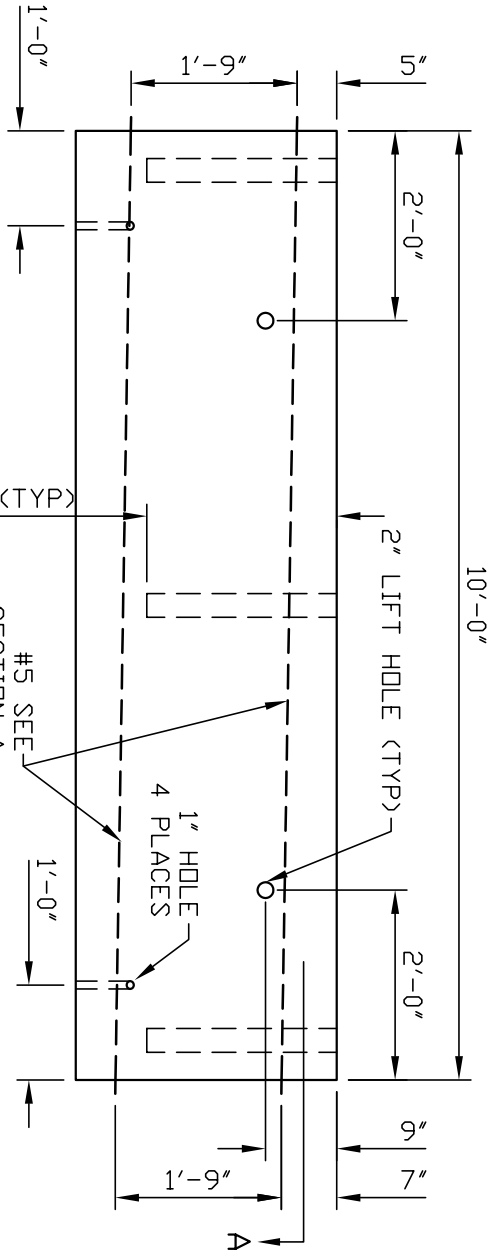


PLAN

#5 TO BE CONTINUOUS OR HAVE A MIN. 15" LAP AT MID LENGTH OF BARRIER

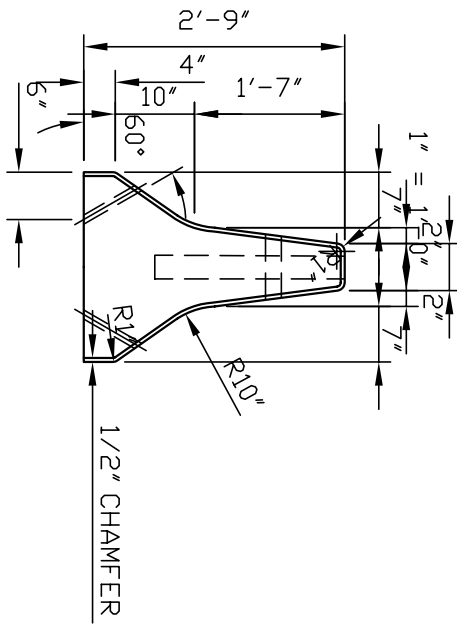


SECTION A

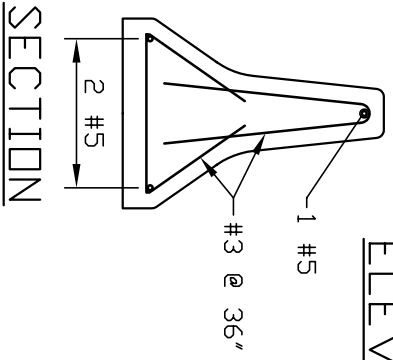


ELEVATION

- NOTES:
1. Concrete: 4000 psi @ 28 days
 2. Reinforcing: Grade 60



END VIEW



Concrete Systems Inc.
 9 Commercial St., Hudson, NH, 03051
 Phone 603-889-4163
 Fax 603-889-0039

Drawn By	Date
CONCRETE CU. YD.	WEIGHT
1.02	2.06 tons
Approved By	Date

TEMP DF W/FENCE HOLES

No. Required **A** Drawing No. DFJ2432TMAF-1

SCALE : 1/2" = 1'-0" SHEET 1 of 1