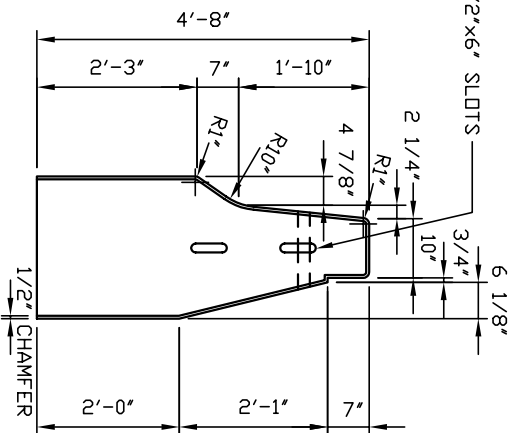
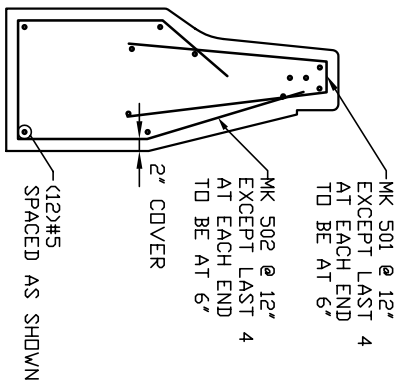
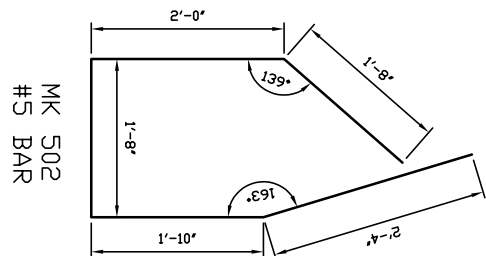
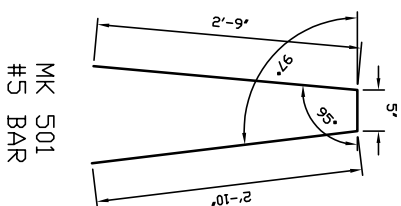


ELEVATION



R. SIDE



SECTION

- NOTES:
1. Concrete: 4000 psi @ 28 days
 2. Reinforcing: Grade 60, Epoxy coated.



Concrete Systems Inc.
 9 Commercial St., Hudson, NH 03051
 Phone 603-889-4163
 Fax 603-889-0039

Drawn By _____ Date _____

CONCRETE CU. YD. _____ WEIGHT _____

2.75 _____ 5.58 TONS

Approved By _____

Date _____

"F" SHAPE ROADSIDE BARRIER

PERMANENT

No. Required

Drawing No.

A

RSF2456P-1

SCALE : D.N.S.

SHEET