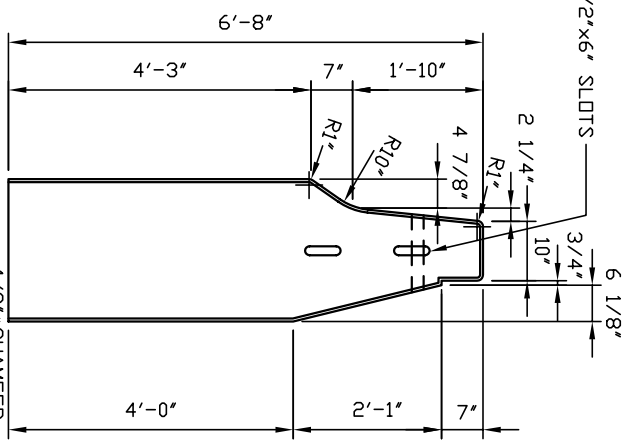
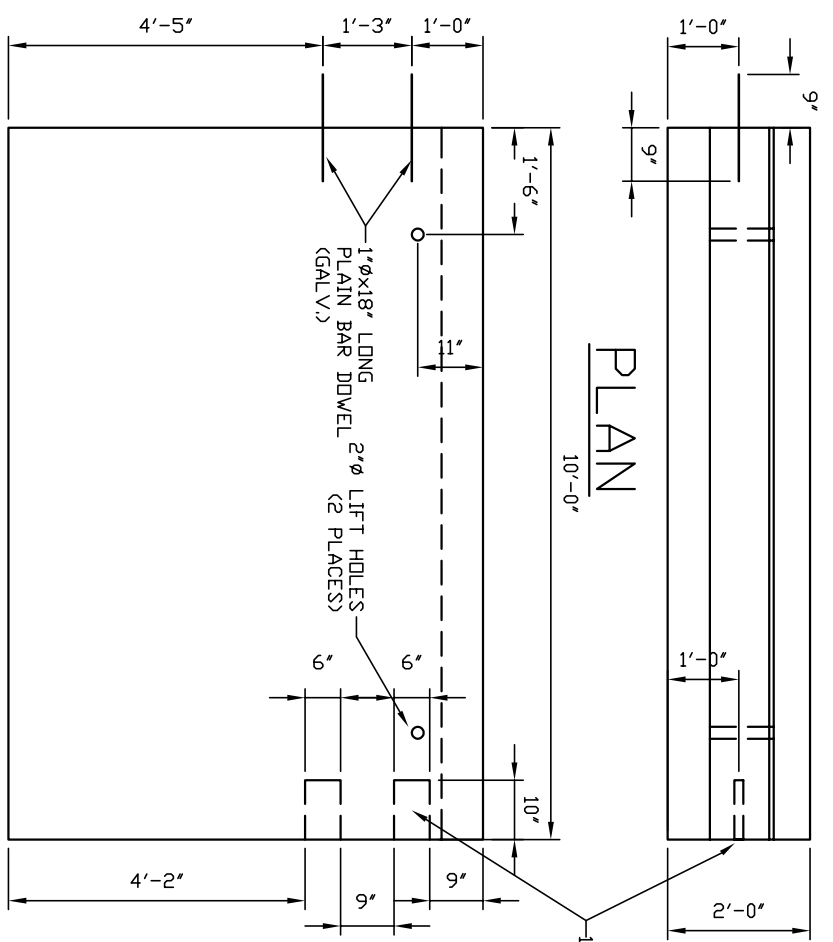
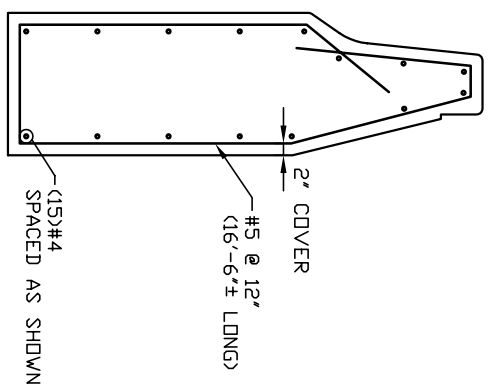
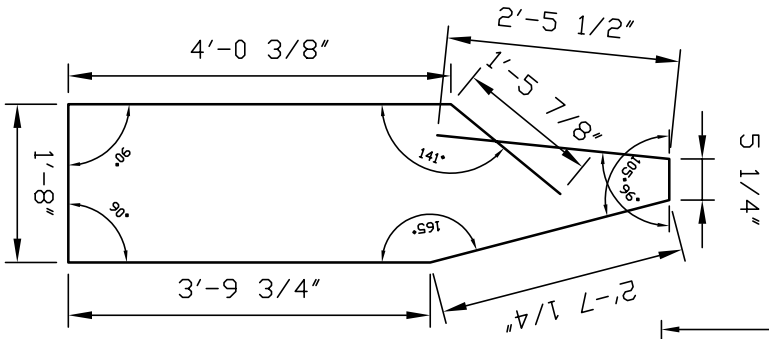


- NOTES:
1. Concrete: 4000 psi @ 28 days
 2. Reinforcing: Grade 60, Epoxy coated.



ELEVATION



CSI
Concrete Systems Inc.
 9 Commercial St., Hudson, NH 03051
 Phone 603-889-4163
 Fax 603-889-0039

PERMANENT ROADSIDE BARRIER

Drawn By	Concrete CU. YD.	Date	WEIGHT
4.24		8.58 TONS	
Approved By		Date	

No. Required	Drawing No.	SCALE :	SHEET 1 of 1
A	RSF2480P-1		