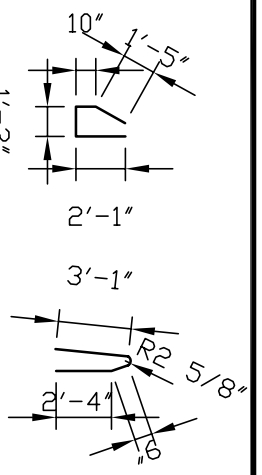
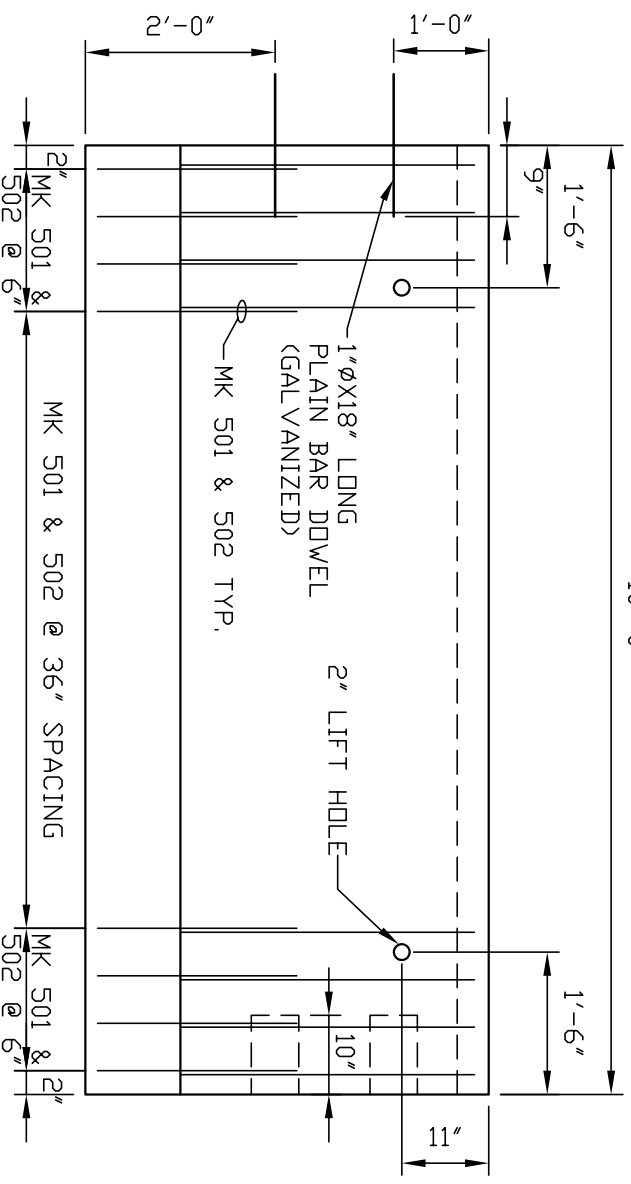


PLAN

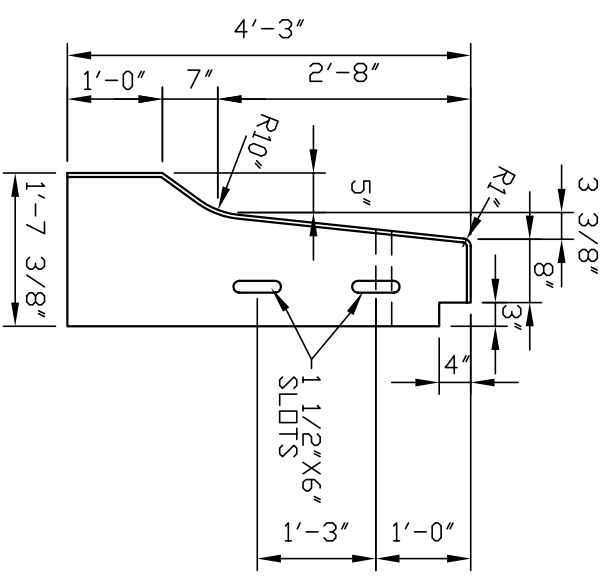


MK 501
#5 BAR

MK 502
#5 BAR

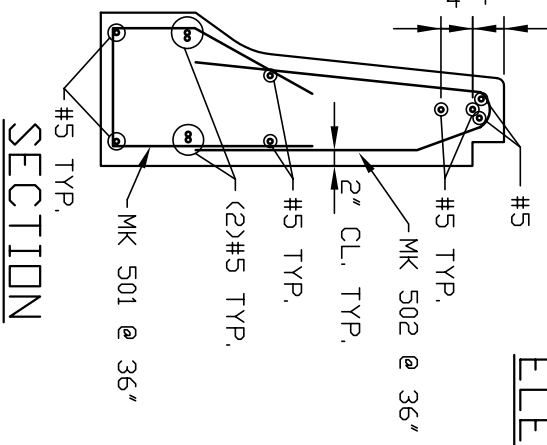


ELEVATION




END VIEW

- NOTES:
1. Concrete: 5000 psi @ 28 days
 2. Reinforcing: Grade 60, Epoxy Coated



SECTION

 <p>Concrete Systems Inc. 9 Commercial St., Hudson, NH 03051 Phone 603-889-4163 Fax 603-889-0039</p>		Drawn By	Date
		CONCRETE CU. YD.	WEIGHT
1.96	3.97 tons	Approved By	Date

SINGLE FACE "F" W/ CAP SEP	
No. Required	Drawing No.
A	SFF1951PCM-1
SCALE :	SHEET 1 of 1