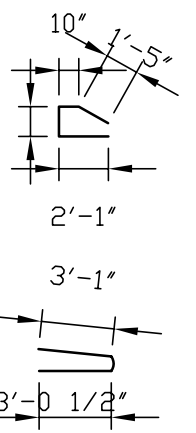
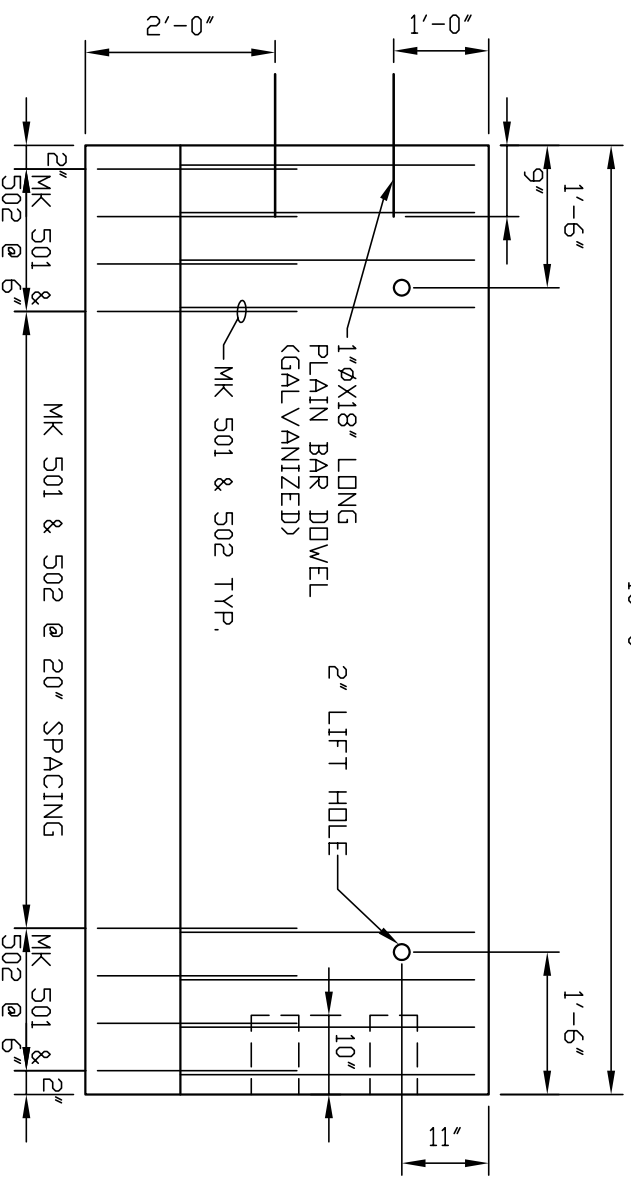


PLAN

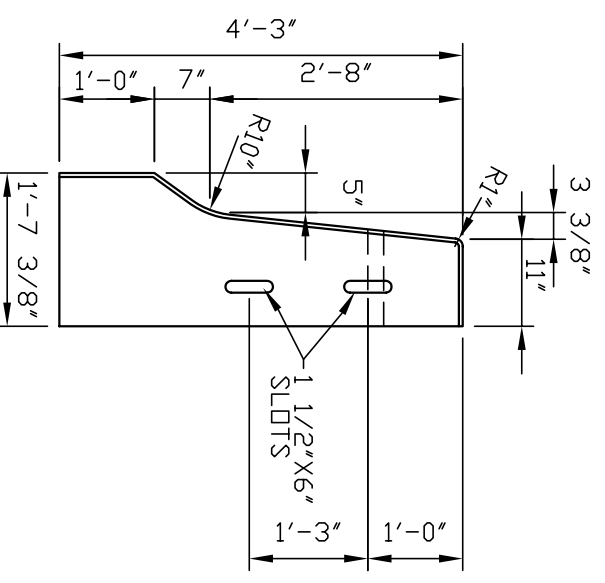


MK 501  
#5 BAR

MK 502  
#5 BAR

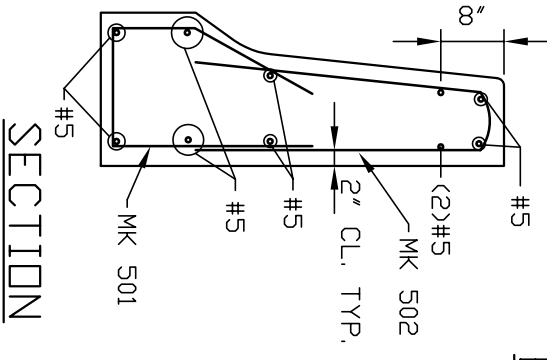


ELEVATION



END VIEW

- NOTES:
1. Concrete: 5000 psi @ 28 days
  2. Reinforcing: Grade 60, Epoxy Coated



SECTION



Concrete Systems Inc.  
9 Commercial St., Hudson, NH 03051  
Phone 603-889-4163  
Fax 603-889-0039

Drawn By \_\_\_\_\_ Date \_\_\_\_\_

CONCRETE CU. YD. \_\_\_\_\_ WEIGHT \_\_\_\_\_

1.96 \_\_\_\_\_ 3.97 tons  
Approved By \_\_\_\_\_ Date \_\_\_\_\_

SINGLE FACE "F"

No. Required

A

Drawing No. SFF1951PM-1

SCALE :

SHEET 1 of 1